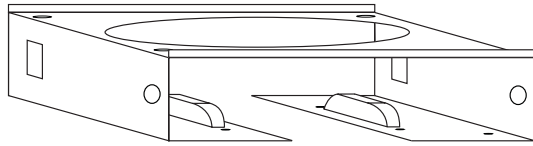


Mounting Kit includes:



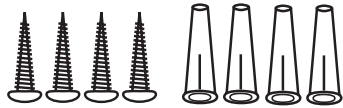
Mount Bracket



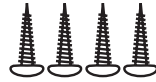
(4) Rubber Pads



(4) M4 x 12mm screws
(4) Lock Washers



(4) 3/16" x 1" Wood Screws
(4) 3/16" Anchors



(4) 3/16" x 3/4"
Wood Screws

Mount Bracket Kit for the Apple Mac Mini (Mid 2010 Unibody Models)

Installation Guide

Installation of the Mounting Bracket for Apple Mac Mini

The mount bracket allows for a variety of mounting configurations including: underside or top of desktop, wall, back of a monitor that provides the VESA 100 attachment holes, a flat surface, or you can use the bracket as a stand under your display. Holes are provided for use of a pad lock to secure the Mini inside the bracket. The mount bracket can be positioned so the lock is in the front, or the back.

STEP 1.

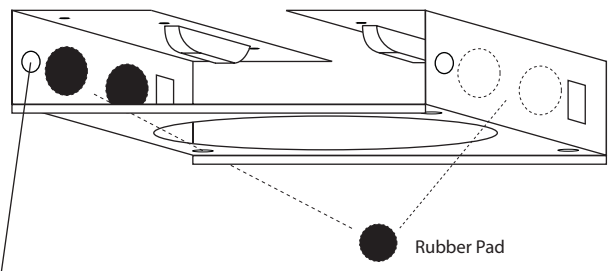
First, turn off your Mac Mini computer. Unplug the DC power cord from the power source and then from the computer. Unplug all attached cables from the back of the computer and carefully remove all cables.

Contact Information:

BMS Michigan
Address: 36580 Catalpa Lane, New Baltimore, MI 48047
Phone: 810-650-9164
Email: info@imacmount.com
Web Site: www.imacmount.com

Installation of the Mounting Bracket for Apple Mac Mini

STEP 2. Before installing, apply the rubber pads included to the inside of the bracket. The foam pads will protect the computer from scratching and also provide a snug fit for the computer.

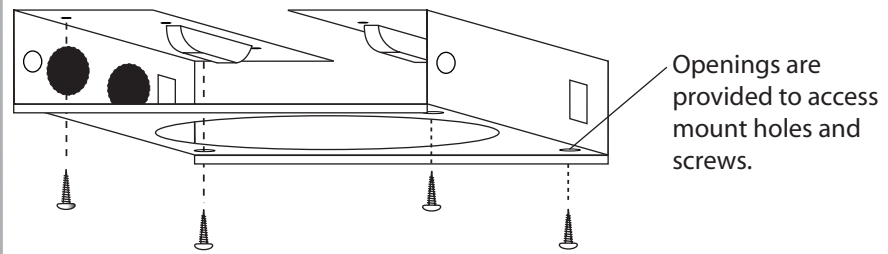


SECURITY - At the opening of the bracket, on either side, are holes to receive a padlock or security cable. If you prefer to have the lock in the back, simply mount the bracket to slide the Mac Mini in from the back.

Installation of the Mounting Bracket for Apple Mac Mini

Option 1 **Mounting to a wood desktop or shelf** - Check the thickness of the surface you are attaching to. Use 3/4" long screws for a surface 1" > thick, or 1" long screws for a surface 1.25" > thick. Next, use the bracket as a template to mark the holes and drill pilot holes using a 1/8" drill. Complete the install by fastening the bracket with (4) wood screws.

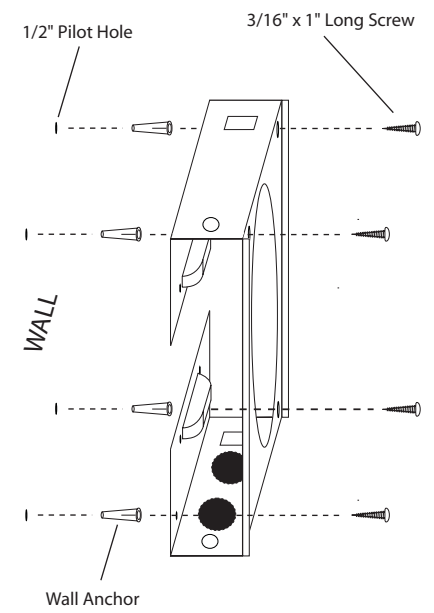
To fasten to the top of the surface, simply flip the bracket over so the attachment holes are on the bottom.



Installation of the Mounting Bracket for Apple Mac Mini

Option 2 **Mounting to a wall** - Included are standard wall anchors for use with wall board. If attaching to concrete or other substrate, appropriate hardware will need to be purchased.

Use the bracket as a template to mark the holes on the wall, the outer (4) holes should be used. Drill holes into the wall using a 1/4" drill bit. Insert the wall anchors and gently tap to seat the anchors flush. Using the 1" screws provided, push a screw through each of the holes on the bracket. Make sure to start all (4) screws into the anchors first before completing.



Installation of the Mounting Bracket for Apple Mac Mini

Option 3 **Mounting to the back of a monitor** - Most computer monitors today have mounting holes on the back. Many have holes that do not require the stand to be removed. These holes are called VESA compliant mount holes and for displays weighing 15 - 30 lbs., (4) M4 x 12mm screws are needed. The hole pattern for this VESA mounting is 100mm x 100mm, which are the inner (4) holes on the bracket. Use the (4) M4 and lock washers included to attach the Mac Mini Mount to the back of the monitor.

