

VESA Mount Adapter Kit for Apple iMac 21.5", 20" and 17" Computers

Installation Guide

Installation of the VESA Mount Adapter Kit

To mount your iMac 21.5", 20" or 17" computer with a VESA-compatible mounting system, attach the VESA Mount Adapter Kit to the stand of your iMac All-In-One.

STEP 1.

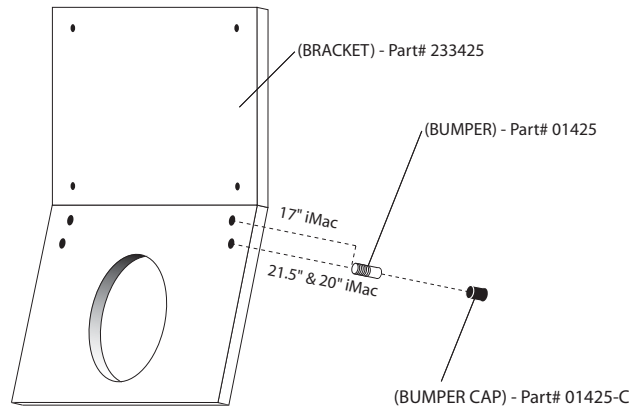
First, turn off your iMac computer. Unplug the DC power cord from the power source and then from the computer. Unplug all attached cables from the back of the computer and carefully remove cables through the cable management hole provided on the stand of the iMac.

Contact Information:

BMS Michigan
Address: 36580 Catalpa Lane, New Baltimore, MI 48047
Phone: 810-650-9164
Email: info@imacmount.com
Web Site: www.imacmount.com

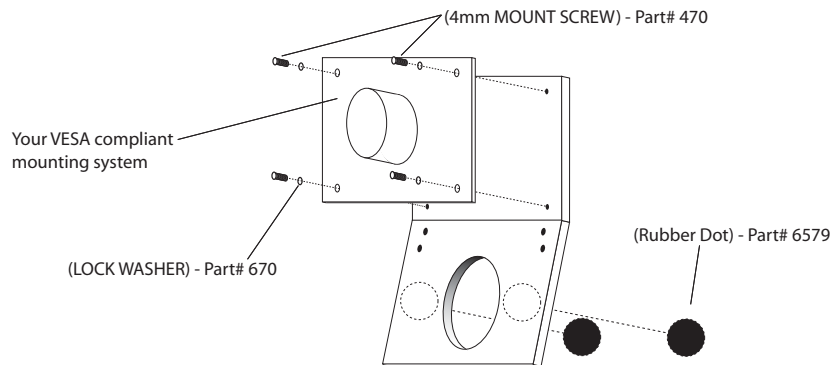
Installation of the VESA Mount Adapter Kit continued...

- STEP 2.** The bracket ships preassembled to fit the iMac 21.5" and 20" stand. If mounting a 17" iMac computer, the "Bumpers" located on either side of the bracket must be repositioned to the appropriate hole. Slip the "Bumper Cap" back over the bumper when completed.



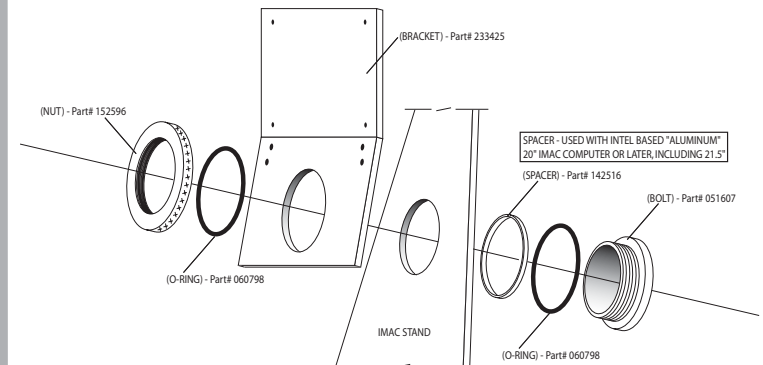
Installation of the VESA Mount Adapter Kit continued...

- STEP 3.** Apply the "Foam Pads" provided to the underside of the "Bracket" where it will meet to the stand. You can then choose to mount the "Bracket" to your VESA mounting system using the 4mm "Mount Screws" and "Lock Washers" provided, or wait until after attaching the bracket to the stand of the iMac.



Installation of the VESA Mount Adapter Kit continued...

- STEP 4.** Make sure the rubber "O-Rings" are snapped in the grooves of the "Nut" and "Bolt". If mounting a 21.5", or Intel "Aluminum" 20" model, (iMac models first available in August 2007 and later), slide the provided "Spacer" on to the "Bolt" and push to the rim.



Installation of the VESA Adapter Bracket continued...

- STEP 5.** Position "Bracket" to the front of the stand with "Bumpers" along the sides and align hole with the cable management hole on the stand. From the back, push the "Bolt" completely through having the "O-Ring" pressed against the stand. Tighten the "Nut" on to the "Bolt" turning clockwise until both "O-Rings" grip and you can no longer turn the "Nut". Try twisting "Bracket" and tighten the "Nut" more if needed. Your iMac is now ready to be mounted.

